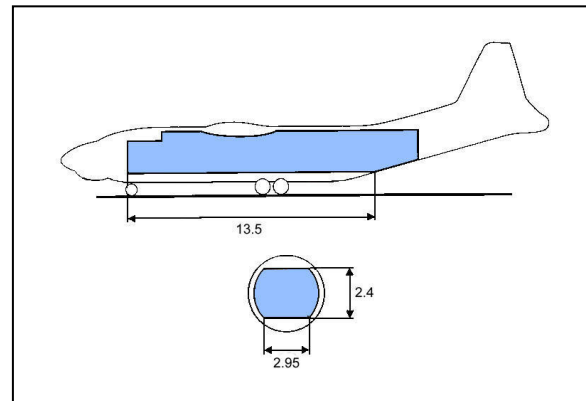




Skyline Aviation Ltd
 Ryderswell
 Collingwood Avenue
 Heathfield
 East Sussex, TN21 8DN
 England

Tel: +44 (0)1435 864000
 Fax: +44 (0)1435 867000
 info@skylineaviation.co.uk
 www.skylineaviation.co.uk

ANTONOV AN-12



Specifications:

- Maximum Payload: 18500 kgs
- Maximum Take Off Weight; 61000 kgs
- Cargo Hold Dimensions; 13.50 x 2.95 x 2.40 metres
- Cargo door size; 3.10 x 2.34 metres, closed by rear loading ramp.
- Noise category; Stage 3
- Roof mounted gantry hoist 3000kgs max
- Internal winch 5000kgs max
- Maximum hold volume; 80 cubic metres
- Runway required for max. takeoff weight; 1800 metres

Range / Time / Fuel Burn / Payload Table:

Range	Block Times	Fuel Consumption	Payload
250nm	1 hrs 00 mins	3.0T	18500kgs
500nm	1 hrs 50 mins	5.3T	17000kgs
750nm	2 hrs 40 mins	6.9T	15900kgs
1000nm	3 hrs 35 mins	9.0T	14200kgs
1250nm	4 hrs 30 mins	11.3T	12200kgs
1500nm	5 hrs 20 mins	13.2T	10200kgs
1750nm	6 hrs 10 mins	15.5T	8200kgs
2000nm	7 hrs 00 mins	17.6T	6200kgs