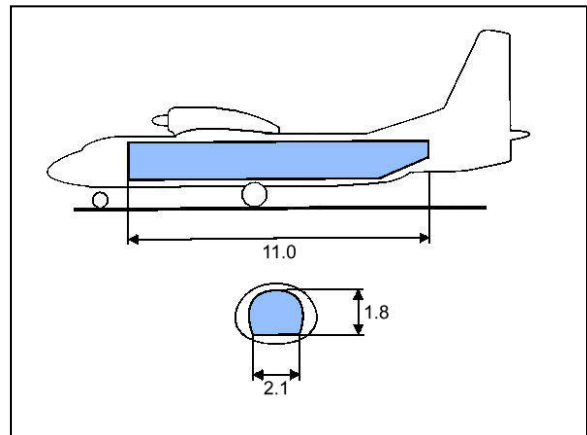




Skyline Aviation Ltd
 Ryderswell
 Collingwood Avenue
 Heathfield
 East Sussex, TN21 8DN
 England

Tel: +44 (0)1435 864000
 Fax: +44 (0)1435 867000
 info@skylineaviation.co.uk
 www.skylineaviation.co.uk

ANTONOV AN-32



Specifications:

- Maximum Payload: 6700 kgs
- Maximum Take Off Weight; 27000 kgs
- Cargo Hold Dimensions; 12.48 x 2.3 x 1.84 metres
- Cargo door size; 2.40 x 1.91 metres
- Noise category; Stage 3
- For use in hot climate (up to 45 deg C)
- For use at high airfields (up to 4500 m)
- Maximum hold volume; 30 cbm
- Runway required for max. takeoff weight; 1800 m

Range / Time / Fuel Burn / Payload Table:

| Range | Block Times | Fuel Consumption | Payload |
|--------|---------------|------------------|---------|
| 300nm | 1 hrs 10 mins | 1.7T | 6700kgs |
| 400nm | 1 hrs 35 mins | 2.1T | 6100kgs |
| 500nm | 2 hrs 00 mins | 2.5T | 5500kgs |
| 600nm | 2 hrs 25 mins | 2.9T | 5000kgs |
| 700nm | 2 hrs 45 mins | 3.3T | 4550kgs |
| 800nm | 3 hrs 10 mins | 3.7T | 4200kgs |
| 900nm | 3 hrs 35 mins | 4.1T | 4000kgs |
| 1000nm | 3 hrs 55 mins | 4.5T | 3750kgs |