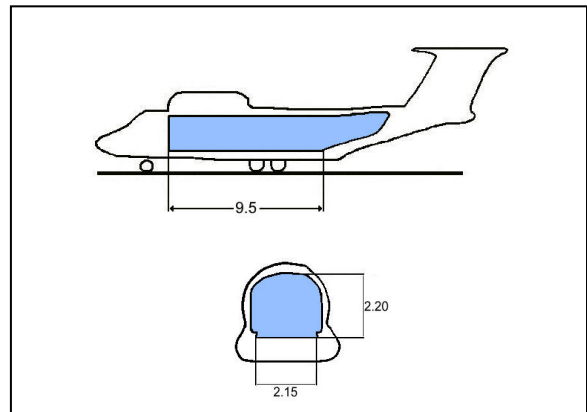




Skyline Aviation Ltd
 Ryderswell
 Collingwood Avenue
 Heathfield
 East Sussex, TN21 8DN
 England

Tel: +44 (0)1435 864000
 Fax: +44 (0)1435 867000
 info@skylineaviation.co.uk
 www.skylineaviation.co.uk

ANTONOV AN-72/74



Specifications:

- Maximum Payload: 7500 kgs or 10000 kgs depending on version
- Maximum Take Off Weight; 36500 kgs
- Cargo Hold Dimensions; 9.50 x 2.15 x 2.20 metres
- Cargo door size; 2.40 x 2.27 metres, closed by rear loading ramp.
- Noise category; Stage 3
- STOL capability
- Passengers; Maximum 52 seats (variable partition for combi operations)
- Maximum hold volume 52 cubic metres
- Pressurised cabin

Range / Time / Fuel Burn / Payload Table (based on 7.5T version):

Range	Block Times	Fuel Consumption	Payload
250nm	0 hrs 50 mins	1.9T	7500kgs
500nm	1 hrs 40 mins	3.1T	7500kgs
750nm	2 hrs 25 mins	4.4T	7500kgs
1000nm	3 hrs 15 mins	5.7T	7500kgs
1250nm	4 hrs 00 mins	7.0T	6000kgs
1500nm	4 hrs 45 mins	8.2T	5700kgs
1750nm	5 hrs 35 mins	9.5T	4500kgs
2000nm	6 hrs 25 mins	10.8T	3200kgs