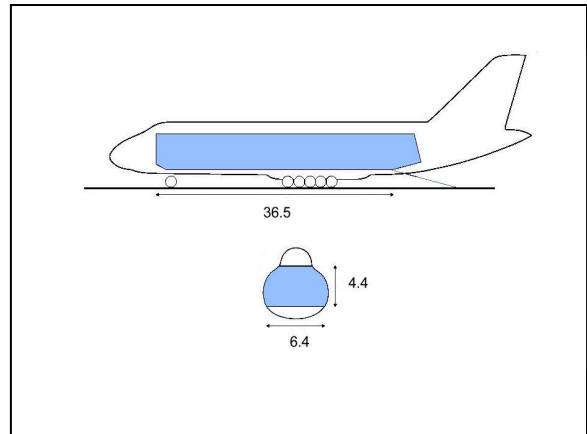




Skyline Aviation Ltd
 Ryderswell
 Collingwood Avenue
 Heathfield
 East Sussex, TN21 8DN
 England

Tel: +44 (0)1435 864000
 Fax: +44 (0)1435 867000
 info@skylineaviation.co.uk
 www.skylineaviation.co.uk

ANTONOV AN-124



Specifications:

- Maximum Payload: 120000 kgs
- Maximum Take Off Weight; 392000kgs
- Cargo Hold Dimensions; 36.5 x 6.4 x 4.4 m
- Cargo door size; 6.4 x 4.4 m
- Noise category; Stage 3
- On board cranes capable of lifting up to 30000kgs
- On board loading system capable of taking pieces up to 80000kgs
- Maximum hold volume; 900 cbm
- Runway required for max. takeoff weight; 3,000m

Range / Time / Fuel Burn / Payload Table:

Range	Block Times	Fuel Consumption	Payload
1000 nm	2 hrs 30 mins	12.5T	120 000 kgs
2000 nm	5 hrs 00 mins	25.0T	120 000 kgs
3000 nm	7 hrs 30 mins	37.5T	115 000 kgs
4000 nm	10 hrs 00 mins	50.0T	90 000 kgs
5000 nm	12 hrs 30 mins	62.5T	70 000 kgs
6000 nm	15 hrs 00 mins	75.0T	47 000 kgs
7000 nm	17 hrs 30 mins	87.5T	25 000 kgs
8000 nm	20 hrs 00 mins	100T	Ferry