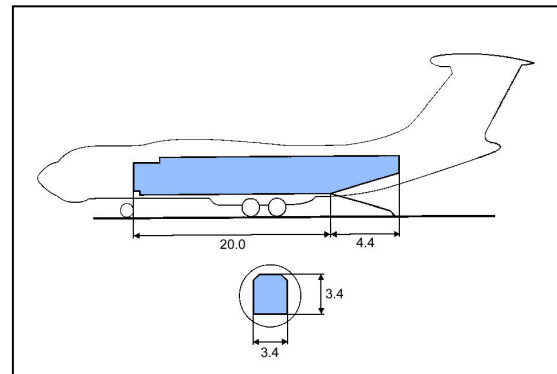




Skyline Aviation Ltd
 Ryderswell
 Collingwood Avenue
 Heathfield
 East Sussex, TN21 8DN
 England

Tel: +44 (0)1435 864000
 Fax: +44 (0)1435 867000
 info@skylineaviation.co.uk
 www.skylineaviation.co.uk

ILYUSHIN IL-76



Specifications:

- Maximum Payload: 50,000kgs (IL-76TD), 40,000kgs (IL-76T)
- Maximum Take Off Weight; 190,000 kgs
- Cargo Hold Dimensions; 20.00 x 3.40 x 3.40 metres
- Cargo door size; 3.15 x 3.20 metres, closed by rear loading ramp.
- Noise category; Stage 2
- Roof mounted gantry hoist 10,000kgs max
- Internal winch 20,000kgs max
- Maximum hold volume; 180 cubic metres
- Runway required for max. takeoff weight; 2300 metres

Range / Time / Fuel Burn / Payload Table (IL-76TD):

Range	Block Times	Fuel Consumption	Payload
250nm	1 hrs 00 mins	8.0T	50,000kgs
500nm	1 hrs 30 mins	14.5T	50,000kgs
750nm	2 hrs 10 mins	21.5T	50,000kgs
1000nm	2 hrs 40 mins	25.5T	50,000kgs
1500nm	3 hrs 55 mins	33.5T	48,000kgs
2000nm	5 hrs 00 mins	43.0T	45,000kgs
2500nm	6 hrs 10 mins	52.5T	38,000kgs
3000nm	7 hrs 20 mins	62.5T	28,000kgs