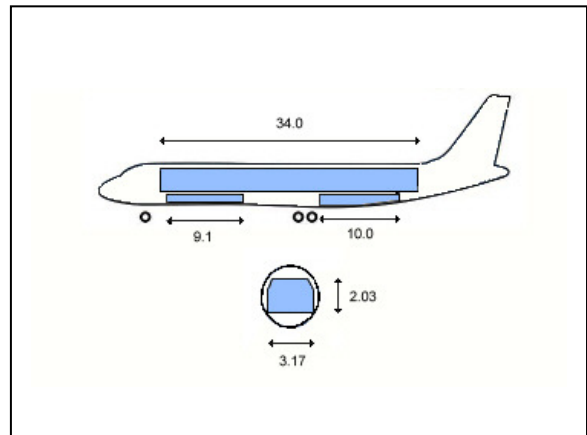




Skyline Aviation Ltd
 Ryderswell
 Collingwood Avenue
 Heathfield
 East Sussex, TN21 8DN
 England

Tel: +44 (0)1435 864000
 Fax: +44 (0)1435 867000
 info@skylineaviation.co.uk
 www.skylineaviation.co.uk

DC-8-62F



Specifications:

- Maximum Payload: 42,000 kgs
- Maximum Take Off Weight; 153,760 kgs
- Cargo Hold Dimensions 34.0 x 3.17 x 2.03 metres
- Cargo door size; 2.15 x 3.55 m
- Noise category; Stage 3
- Upper deck can load 14 (317cmx224cm) pallets
- Cruise speed: 492 kts
- Cabin volume (upper and lower); 198 cbm
- Wingspan 45.23m

Range / Time / Fuel Burn / Payload Table:

Range	Block Times	Fuel Consumption	Payload
2000 nm	4 hrs 20 mins	24 500 kg	42 000 kg
3000 nm	6 hrs 25 mins	37 000 kg	42 000 kg
3500 nm	7 hrs 30 mins	43 000 kg	42 000 kg
4000 nm	8 hrs 35 mins	49 500 kg	42 000 kg
4500 nm	9 hrs 40 mins	55 500 kg	42 000 kg
5000 nm	10 hrs 45 mins	62 000 kg	40 000 kg
5500 nm	11 hrs 50 mins	68 000 kg	20 000 kg
6000 nm	12 hrs 55 mins	74 000 kg	ferry