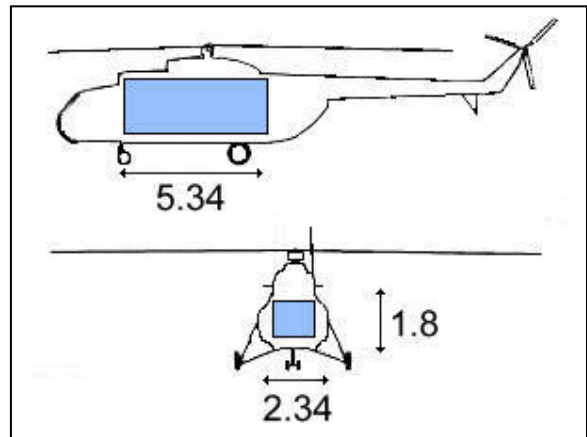




Skyline Aviation Ltd
 Ryderswell
 Collingwood Avenue
 Heathfield
 East Sussex, TN21 8DN
 England

Tel: +44 (0)1435 864000
 Fax: +44 (0)1435 867000
 info@skylineaviation.co.uk
 www.skylineaviation.co.uk

MIL MI-8MTV / MIL MI-17



Specifications:

- Maximum Payload; 4000 kgs
- Maximum Suspended payload; 4000 kgs
- Maximum Take Off Weight; 13000 kgs
- Cargo Hold Dimensions; 5.34 x 2.34 x 1.8 metres
- Maximum altitude; 6000 metres
- Range can be extended up to 510 nm with additional fuel tanks
- Passengers; 22
- Maximum hold volume; 23 cbm
- Rotor Diameter; 21.30 metres

Range / Time / Fuel Burn / Payload Table:

Range	Block Times	Fuel Consumption	Payload
50	0 hrs 30 mins	0.36T	4000kgs
75	0 hrs 40 mins	0.48 T	4000kgs
100	0 hrs 50 mins	0.60 T	4000kgs
125	1 hrs 00 mins	0.72 T	4000kgs
150	1 hrs 15 mins	0.90 T	4000kgs
175	1 hrs 30 mins	1.08 T	4000kgs
200	1 hrs 45 mins	1.26 T	4000kgs
240 nm	2 hrs 00 mins	1.44 T	4000kgs