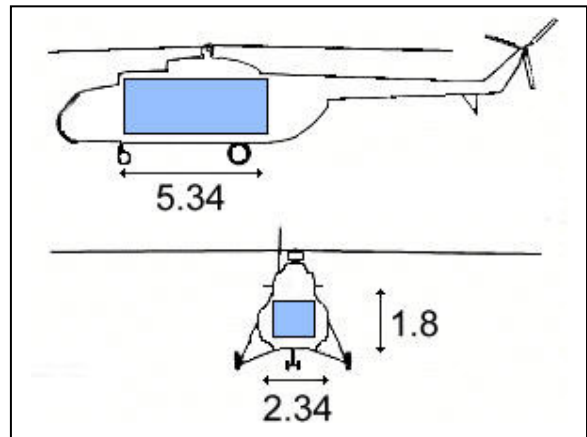




Skyline Aviation Ltd
 Ryderswell
 Collingwood Avenue
 Heathfield
 East Sussex, TN21 8DN
 England

Tel: +44 (0)1435 864000
 Fax: +44 (0)1435 867000
 info@skylineaviation.co.uk
 www.skylineaviation.co.uk

MIL MI-8T



Specifications:

- Maximum Payload; 4000 kgs
- Maximum suspended payload; 3000 kgs
- Maximum Take Off Weight; 12000 kgs
- Cargo Hold Dimensions; 5.34 x 2.34 x 1.8 metres
- Maximum altitude; 4500 metres
- Range can be extended up to 480 nm with extra internal and external tanks
- Passengers; 22
- Maximum hold volume; 23 cbm
- Rotor Diameter; 20.10 metres

Range / Time / Fuel Burn / Payload Table:

Range	Block Times	Fuel Consumption	Payload
50nm	0 hrs 25 mins	0.32 T	4000kgs
75nm	0 hrs 40 mins	0.45 T	4000kgs
100nm	0 hrs 55 mins	0.60 T	4000kgs
125nm	1 hrs 10 mins	0.75 T	4000kgs
150nm	1 hrs 20 mins	0.90 T	4000kgs
175nm	1 hrs 35 mins	1.05 T	4000kgs
200nm	1 hrs 50 mins	1.20 T	4000kgs
220nm	2 hrs 00 mins	1.30 T	3900kgs